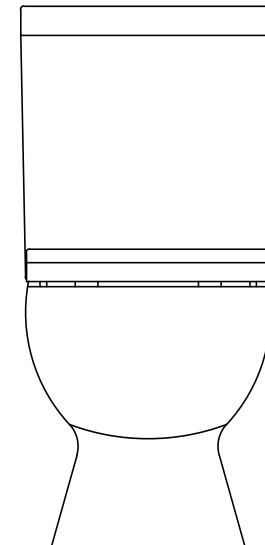




INSTRUCTION MANUAL

R-WC9030F-U

CLOSE COUPLED WC



CUSTOMER SERVICES

AFTER SALES SERVICE

Our Customer Support Team is comprehensively trained to provide help and advice, spare parts or a service visit.

SPARE PARTS

We maintain an extensive stock of spares and aim to have functional parts available for ten years from the date of final manufacture of the product. Spares can be purchased from approved stockists or merchants (locations on request) or direct from Customer Services Department. Spares direct will normally be dispatched within two working days.

NOTE

In the interest of safety, spares requiring exposure to mains voltages can only be sent to qualified persons.

SERVICE

Our Customer Support Team is available to provide a quality service at a reasonable cost. You will be assured of the services of a trained engineer / agent, genuine spares and a 6-month guarantee on the repair.

CONTACT US

RIGEL TECHNOLOGY (S) PTE LTD

No. 12 Kaki Bukit View, Kaki Bukit Techpark II (S) 415948

Tel: (65) 6844 0660 Fax: (65) 6844 0112 E-mail: sales@rigel.com.sg

Office Working Hours: 8:30am - 6.00pm (Monday to Thursday)

8:30am - 5.30pm (Friday)

Website: www.rigel.com.sg

RIGEL TECHNOLOGY (M) SDN BHD

Wisma Rigel, 16 & 18, Jalan 3 / 33B, MWE Commercial Park, 6 1/2 Miles, Off Jalan Kepong, 52000 Kuala Lumpur, Malaysia

Tel: (603) 6258 6016 Fax: (603) 6258 5498 E-mail: sales@rigel.com.my

Office Working Hours: 8:30am - 6.00pm (Monday to Friday)

Website: www.rigel.com.my

RIGEL TECHNOLOGY (NINGBO) CO. LTD

No 18, Xingye Road 2, Ningbo Beilun Free Trade East Zone, 315800 Ningbo, Zhejiang, China

Tel: (86) 574 5626 1688 Fax: (86) 574 5626 1588 E-mail: sales@rigel.com.sg

RIGEL CERAMICS (SICHUAN) CO. LTD

Shuanghechang, Anfu Town, Naxi District, 646300 Luzhou City, Sichuan, China

Tel: (86) 830 4270 155 Fax: (86) 830 4270 636 E-mail: sales@rigel.com.sg

WARRANTY

Rigel Technology (M) Sdn Bhd guarantees products against any defect of materials or workmanship for 1 year from the date of purchase. Within the guarantee period, all defective parts will be repaired and/or replaced free of charge. To be eligible for free repair and/or replacement, any service work on the product in question must only be undertaken by Rigel Technology (M) Sdn Bhd or approved agents. Service under this guarantee does not affect the warranty expiry date. The guarantee on any exchanged parts or products ends when the normal product guarantee period expires.

This warranty applies only to products properly installed and operated within specified environment conditions. This warranty does not extend to washroom accessories or other peripheral items.

Rigel's responsibility under this warranty does not apply to:

1. Misuse, negligence or accidents
2. Public abuse or vandalism
3. Repairs or alteration of products not authorised by / performed without consulting Rigel
4. Repair or alteration works that do not comply with manufacturer's installation instructions or not using genuine spare parts supplied by Rigel

In addition, Rigel will not be liable for any incidental or consequential damages, including loss of profits or savings that arise out of the use or misuse of the products.

The terms of this warranty are only valid after:

1. Full payment has been made
2. The official warranty card has been completely and correctly filled out in ink and returned to Rigel within 14 days of purchase. Loss or misplacement of the card and/or amendments done without authorisation will render the warranty null and void.

This warranty is in addition to your statutory and other legal rights.

CONTENT

Safety Precautions	1
Important Safety Information	2
Packing List	3
Product Dimension	4
Recommended Installation Detail	5
Installation Instructions	6-7
Installation Manual of Tank Fittings	8-9
Technical Specification	10
Warranty	11
Customer Services	12

SAFETY PRECAUTIONS

The precautions noted within this guide are intended to instruct you in the safe and correct use of the products and to prevent injuries and damage to yourself, other persons and property.

IMPORTANT

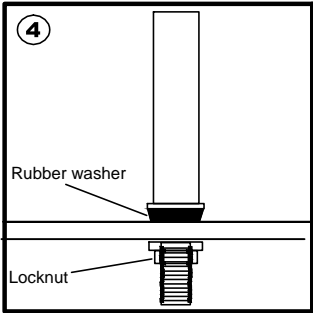
PLEASE READ THIS MANUAL AND ENSURE THAT YOU UNDERSTAND THEM BEFORE INSTALLING OR OPERATING THE PRODUCTS.

DISCLAIMER

- While every effort has been made to ensure that the information contained in this guide is accurate and complete, no liability can be accepted for any errors or omissions. Rigel reserves the right to change the specifications of the products and function described herein at any time without prior notice.
- No part of this guide may be reproduced, transmitted, transcribed, or translated into any language without prior written permission of Rigel.

TECHNICAL SPECIFICATION

1	Material	Vitreous China	
2	Water Supply	G 1/2"	
3	Min. Supply Pressure	55kPa (Flowing)	
4	Flush System	Dual - Flush	
5	Discharge Volume	R-WC9030F-U	6.0L & 3.0L
		W1-WC9030F-U	4.5L & 3.0L
		W2-WC9030F-U	4.0L & 3.0L
		W3-WC9030F-U	3.5L & 2.5L
6	Trap Seal	50mm (Minimum)	

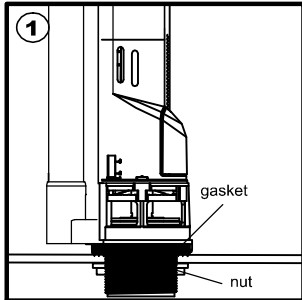


Position the overflow tube over the overflow hole, and screw the locknut. (Torque 3~4N*m)

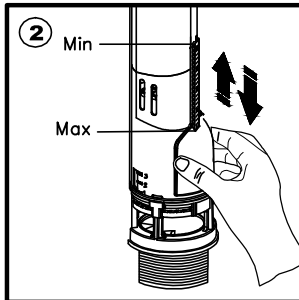
Please take note:

1. The float can not be blocked by side wall of tank to avoid water enter and stop when install.
2. The dirt in supply tube should be drained out before connecting the supply tube.
3. The filter has to be cleaned periodically to avoid the filter blocked and influence the volume.

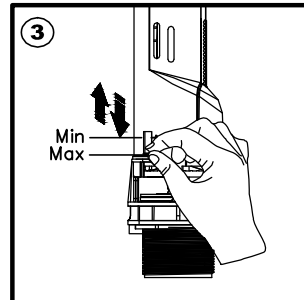
2. Flush valve installation



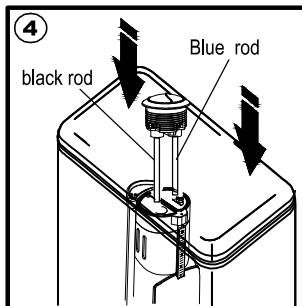
Screw down the nut, then put the flush valve into the tank hole, be sure the gasket press tight to the wall, then screw the nut back to valve.



Adjustment of partial flush level: The partial flush float is higher, the partial flush water is less.



Adjustment of whole flush level: when the red card is on the highest position, the whole flush water is at the least.



Blue rod must match up to blue button and black rod must match up to white button.

Attention: The filter has to be cleaned periodically to avoid the filter blocked and influence the volume.
If the product is different from the drawing, please take the product as correct.

IMPORTANT SAFETY INFORMATION

- 1) Products manufactured in Rigel are safe and without risk provided that they are installed, used and maintained in good working order in accordance with our instructions and recommendations.
- 2) There are no user serviceable parts in this product, only a competent tradesperson should dismantle the unit to carry out repairs.
- 3) Any person who may have difficulty understanding or operating the controls of the product should be supervised while using the appliance. Particular consideration should be given to the young, the elderly, the infirm or anyone inexperienced in the correct operation of the controls.

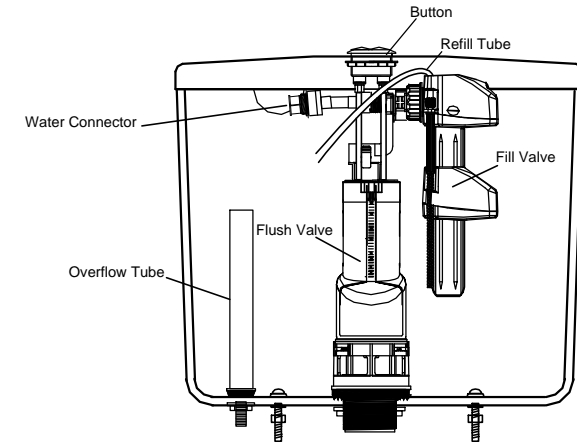
PACKING LIST

S/N	PICTURE	DESCRIPTION	MODEL NO.	QTY
1		CLOSE COUPLED WC	WC9030F-U	1 SET
2		PAN COLLAR	(PA-FSPC1034)	1 PC
3		2.5 INCHES BACK INLET CISTERN FITTING	(PA-WDIB5039) (PA-WDIB3700) (PA-WDIB4900P) (PA-WDIB900) (PA-WDI30182-6)	1 SET
4		SEAT & COVER	FT-SC0121PS	1 PC
5		FLOOR MOUNTING SCREW(3#)	(PA-LZMT-3)	1 SET
6		WARRANTY CARD	_____	1 PC
7		INSTALLATION MANUAL	_____	1 PC

INSTALLATION INSTRUCTIONS OF TANK FITTINGS

Please give the manual to the end user. Please read the manual thoroughly before using it.

General Drawing

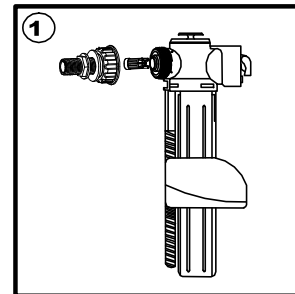


WARNING:

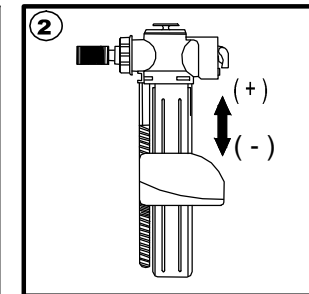
Do not use an in-tank type bowl cleaner in your toilet. In-tank cleaners containing chlorine(calcium hypochlorite) can seriously damage fittings in the tank. We shall not be responsible for any tank fitting damage caused by the use of cleaners containing chlorine(calcium hypochlorite). We will not be liable for damages due to improper handling or installation, abuse or alteration of the product. We disclaim any responsibility for incidental or consequential damages.

The Installation Manual

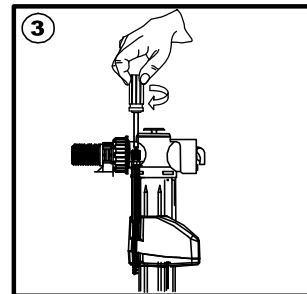
1. The Installation of Fill Valve



Note: when the water pressure is lower than 0.4Mpa, turning on the nut and bringing out the restrictor.



Rotating the adjustment rod can make the float move up and down to preadjust the water level height.



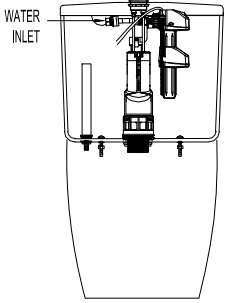
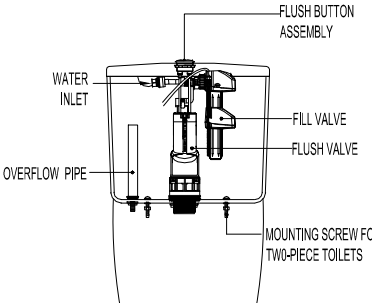
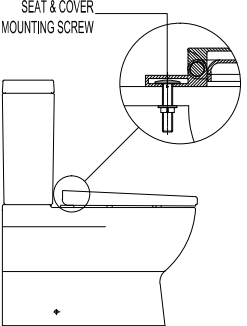
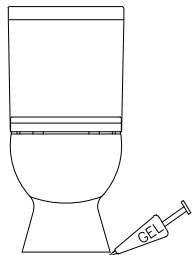
Rotating the adjustment rod can make the float move up and down to preadjust the water level height.

INSTALLATION INSTRUCTIONS

(Items shown are illustrations only, and therefore may not reflect actual model supplied)

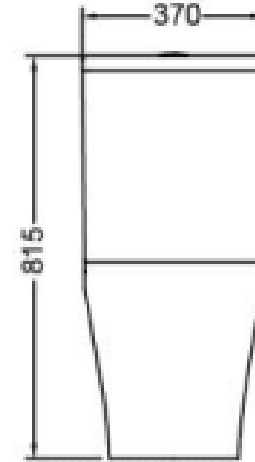
CLOSE COUPLED WATER CLOSET

PLEASE READ THE INSTRUCTIONS CAREFULLY BEFORE DOING ANY INSTALLATION.

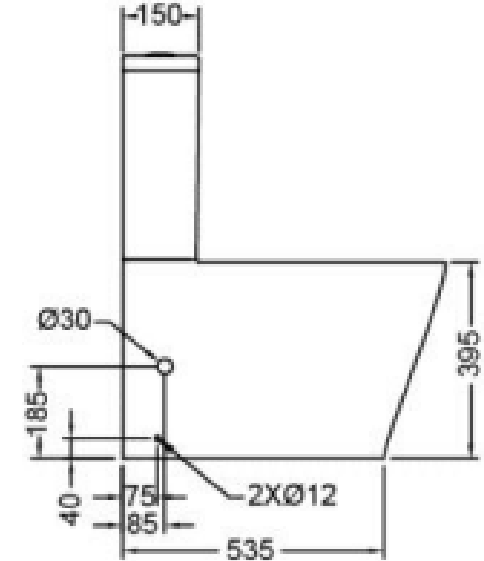
5	Connect the water supply hose to the inlet valve and turn on the water supply.	6	If necessary, remove the cistern cover to adjust the water level according to the water level marking as per installation instructions of tank fittings.
 <p>WATER INLET</p>		 <p>FLUSH BUTTON ASSEMBLY WATER INLET OVERFLOW PIPE MOUNTING SCREW FOR TWO-PIECE TOILETS FILL VALVE FLUSH VALVE</p>	
7	Install the seat & cover as per installation manual provided.	8	Apply silicon gel around the base of the pan to seal up all gaps.
 <p>SEAT & COVER MOUNTING SCREW</p>		 <p>GEL</p>	

R-WC9030F-U

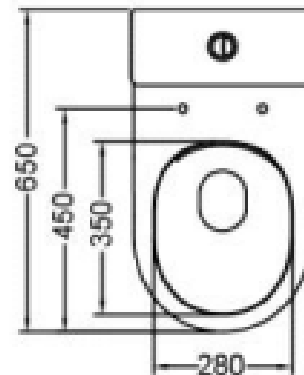
PRODUCT DIMENSION



FRONT VIEW



SIDE VIEW

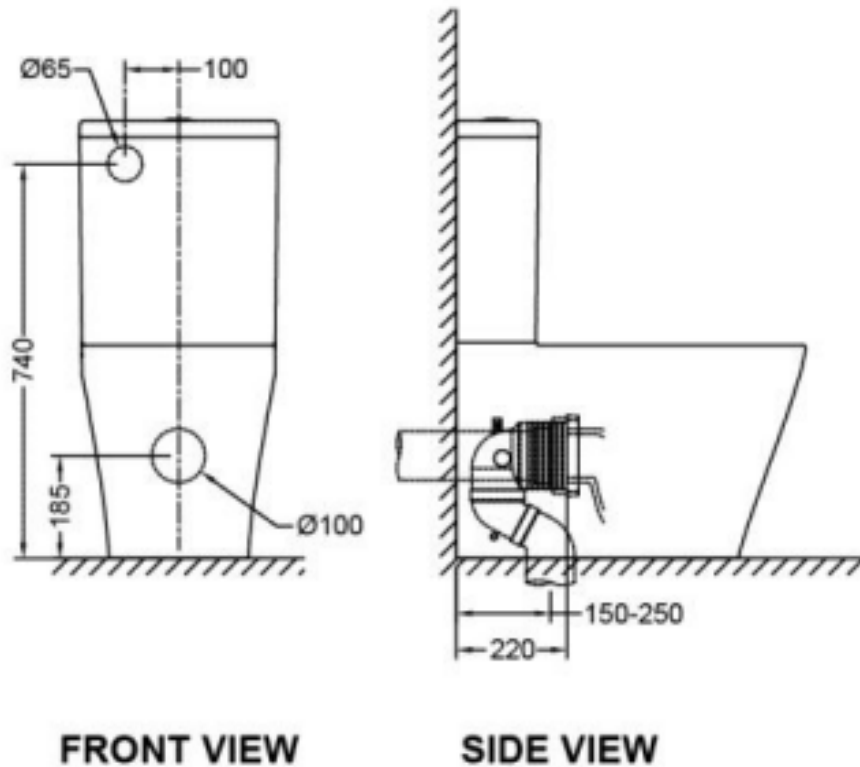


TOP VIEW

R-WC9030F-U

RECOMMENDED INSTALLATION DETAIL

* Denotes recommended value



INSTALLATION INSTRUCTIONS

(Items shown are illustrations only, and therefore may not reflect actual model supplied)

CLOSE COUPLED WATER CLOSET

PLEASE READ THE INSTRUCTIONS CAREFULLY BEFORE DOING ANY INSTALLATION.

1	Mark up the trap hole and mounting holes with reference from the wall. Insert pan collar and secure the floor bracket.	2	Place the water tank on the pan. Secure the tank to the pan with mounting screws provided. Make sure that all the seals are properly places.
3	Align the pan's trap with the pan collar and position the pan to sit between the floor bracket carefully.	4	Secure the pan with the fasten screws provided. Make sure to cover the screw head with capping provided.